



IF THERE ARE UNSATISFACTORY OR MISSING PIECES IN THIS KIT, PLEASE CALL US FIRST BEFORE RETURNING TO VENDOR - 1-800-421-1406 We will replace defective part(s) up to one (1) year from date of purchase with proof of purchase. For more quality products see: www.thebearchair.com



PHONE: (705) 386-0757
FAX: (705) 386-0915
TOLL FREE: 1-800-421-1406

BEFORE ASSEMBLY

1. Remove all parts from the carton.
2. Familiarize yourself with the various parts while reading the instructions thoroughly.
3. Give yourself plenty of space, making sure the complete chair can be removed from the room.
4. Follow the step by step instructions to ensure easy assembly.
5. We recommend gluing all joints for a long lasting chair. Wood glue or carpenters glue works fine.

BOX 509, SOUTH RIVER, ONTARIO P0A 1X0

A WORD ABOUT NORTHERN WHITE PINE

The White Pine used in this furniture was harvested in Northern Ontario. Pine *must* have a protective finish applied, if left unfinished it will discolour and crack as it dries. Some surface checking may occur due to changing moisture levels but this is typical for a natural product and will not effect the durability.

FINISHING WHITE PINE

For the best finishing results use a good quality exterior stain or paint. You should follow all the manufacturer's directions, including an initial light sanding with 120 grit sandpaper.

We do not recommend using straight spar varnish or varathane - they may look great initially but will weather very quickly and require frequent re-coating. Stains like "Sikken's Cetol 1" provide excellent and long lasting protection. It's a good idea to consult your local paint or stain retailer for advice on the best finish for your geographic location and usage.

A WORD ABOUT WESTERN RED CEDAR

The Western Red Cedar in the chair comes from the Coastal Mountain Regions of Western Canada. It is highly resistant to weathering and will last many decades outdoors without rotting. Cedar can be left unfinished and untreated and will weather to a pleasant gray colour. If however, you wish to retain the rich dark colour of the wood then a protective coating is necessary. If leaving unfinished, we recommend using stainless steel hardware to prevent discolouring of the wood (available as an option).

FINISHING WESTERN RED CEDAR

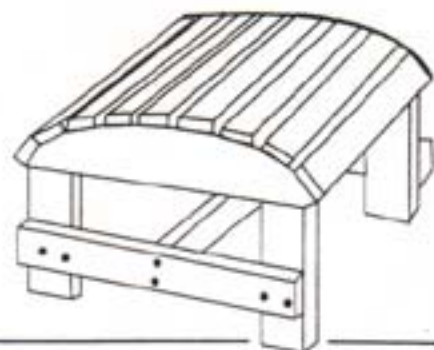
We recommend lightly sanding with 120 grit sandpaper before applying a finish. We *don't* recommend a glossy hard finish such as *varnish* or *Varathane* on cedar because it may react with the natural oils in the wood. Any exterior wood stain will work well to enrich the colour. Lightly sand and recoat as required. As with pine *Sikkens Cetol 1* is an excellent 2-3 coat system for cedar!

REMEMBER TO USE WOOD GLUE ON ALL JOINTS!



PHONE: (705) 386-0757
 FAX: (705) 386-0915
 TOLL FREE: 1-800-421-1406

BOX 509, SOUTH RIVER, ONTARIO P0A 1X0

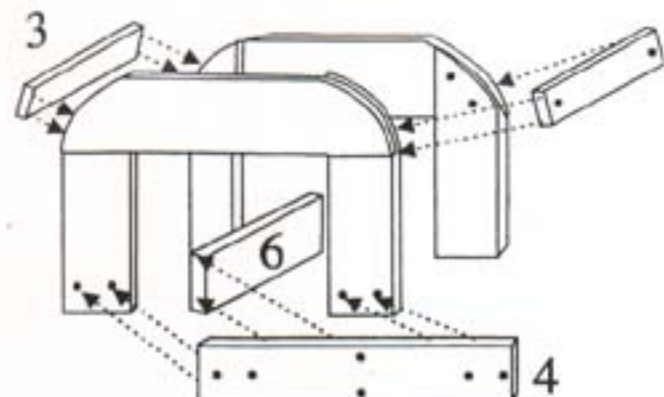
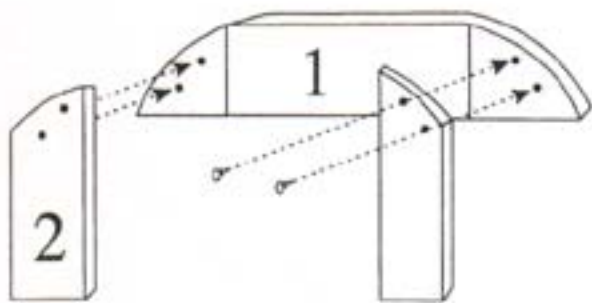


OTTOMAN KIT BC01

Parts list/Listes des pièces

#	Description	Description des pièces	Qty.
1	Side	Côte	2
2	Legs	Pied	4
3	Slat	Planche	9
4	Support	Support	2
5	Screw	Visses	38
6	Cross Support		1

**REMEMBER TO USE
WOOD GLUE ON ALL JOINTS**



Directions

Mode d'emploi

- 1) Attach the numbered legs (#2) to the corresponding numbered side (#1) with 2 screws. (Line up the pencil marks and screw holes.)

Attacher les pieds (#2) au cote correspondant (#1) avec 2 visses. (Aligner les marques au crayon avec les trous de visses).

2. Attach the 2 sides together with a slat and 2 screws along the end of each side. (Make sure the legs are on the inside). Do the same on the other end. Dry fit the remaining 7 slats, spacing them out evenly. Do this by putting the screws through the slats so the point is just protruding out the other side, and pressing the slat into place. Attach the slats.

Attacher les 2 cotes ensemble avec une planche (#3) et deux visses le long de chaque cote. (Faire attention a avoir les pieds a l'interieur). Poser les 7 autres planches en les espacant regulierement. Faire cela en plaçant les visses a travers les planches de facon a ce que la pointe depasse de l'autre cote et en enfonçant les planches dans la partie des visses qui depasse. Verifier que tout est correct et visser les visses.

3. Place one support (#4) against two of the legs approximately 2"/50mm from the bottom of the leg and attach with 4 screws. Repeat for the other side.

Placer un support (#4) contre deux des pieds a environ 5cm du bas des pieds et l'attacher avec 4 visses. Repeter de l'autre cote.

4. Place the cross support (#6) between the two supports (#4) and attach with the remaining 4 screws.