



IF THERE ARE UNSATISFACTORY OR MISSING PIECES IN THIS KIT, PLEASE CALL US FIRST BEFORE RETURNING TO VENDOR - 1-800-421-1406 We will replace defective part(s) up to one (1) year from date of purchase with proof of purchase. For more quality products see: www.thebearchair.com



PHONE: (705) 386-0757
FAX: (705) 386-0915
TOLL FREE: 1-800-421-1406

BEFORE ASSEMBLY

1. Remove all parts from the carton.
2. Familiarize yourself with the various parts while reading the instructions thoroughly.
3. Give yourself plenty of space, making sure the complete chair can be removed from the room.
4. Follow the step by step instructions to ensure easy assembly.
5. We recommend gluing all joints for a long lasting chair. Wood glue or carpenters glue works fine.

BOX 509, SOUTH RIVER, ONTARIO P0A 1X0

A WORD ABOUT NORTHERN WHITE PINE

The White Pine used in this furniture was harvested in Northern Ontario. Pine *must* have a protective finish applied, if left unfinished it will discolour and crack as it dries. Some surface checking may occur due to changing moisture levels but this is typical for a natural product and will not effect the durability.

FINISHING WHITE PINE

For the best finishing results use a good quality exterior stain or paint. You should follow all the manufacturer's directions, including an initial light sanding with 120 grit sandpaper.

We do not recommend using straight spar varnish or varathane - they may look great initially but will weather very quickly and require frequent re-coating. Stains like "Sikken's Cetol 1" provide excellent and long lasting protection. It's a good idea to consult your local paint or stain retailer for advice on the best finish for your geographic location and usage.

A WORD ABOUT WESTERN RED CEDAR

The Western Red Cedar in the chair comes from the Coastal Mountain Regions of Western Canada. It is highly resistant to weathering and will last many decades outdoors without rotting. Cedar can be left unfinished and untreated and will weather to a pleasant gray colour. If however, you wish to retain the rich dark colour of the wood then a protective coating is necessary. If leaving unfinished, we recommend using stainless steel hardware to prevent discolouring of the wood (available as an option).

FINISHING WESTERN RED CEDAR

We recommend lightly sanding with 120 grit sandpaper before applying a finish. We *don't* recommend a glossy hard finish such as *varnish* or *Varathane* on cedar because it may react with the natural oils in the wood. Any exterior wood stain will work well to enrich the colour. Lightly sand and recoat as required. As with pine *Sikkens Cetol 1* is an excellent 2-3 coat system for cedar!

REMEMBER TO USE WOOD GLUE ON ALL JOINTS!







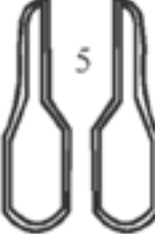
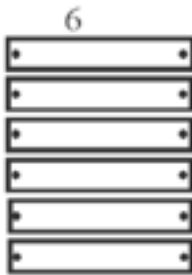


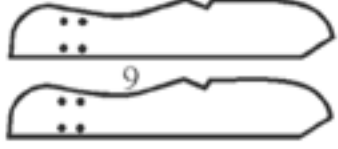

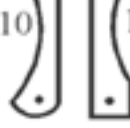
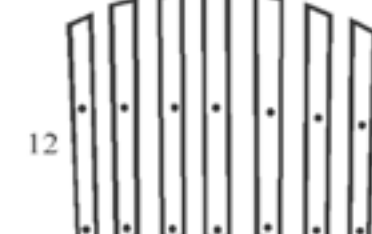


PHONE: (705) 386-0757
 FAX: (705) 386-0915
 TOLL FREE: 1-800-421-1406

BOX 509, SOUTH RIVER, ONTARIO P0A 1X0



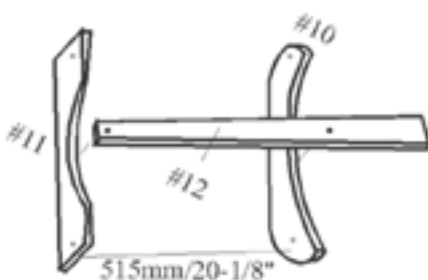
KIT CHAIR BC201

PARTS LIST

#	Description		Qty.
 1	Legs	Pieds	2
 2	Triangles		2
 3	Arm Support	Soutiens du bras	2
 4	Struts	Supports	2
 5	Arms	Bras	2
 6	Seat Slats	Lames du siège	6
 7	Comfort Slat	Lame Circulaire du siège	1
 8	Front Slat	Lame du devant	1
 9	Sides	Côtés	2
 10	Top Back Support	Support supérieurs du dossier	1
 11	Bottom Back Support	Support inférieurs du dossier	1
 12	Back Slats	Lames du dossier	7
 13	Plated Screws	vis	68
 14	Additional Arm Support	Soutiens de bras plus	1

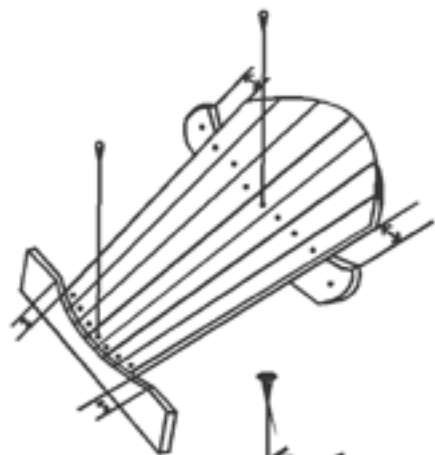
REMEMBER TO USE WOOD GLUE ON ALL JOINTS

Directions Mode d'emploi



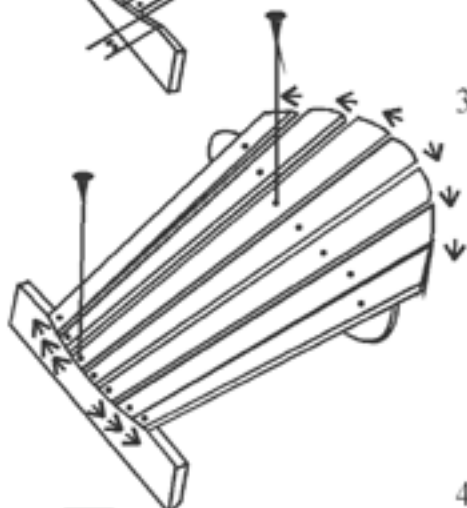
- 1) Set Bottom Back Support (#11) and Top Back Support (#10) on a flat surface with curved side up. Arrange the 7 Back Slats (#12) (with the longest in the centre) on the supports.

Mettre les supports du dossier (#11) et (#10) sur une surface plate en vérifiant que les côtés circulaires sont en haut. Arranger les sept lames du dossier (#12) sur les supports de sorte que les plus longues sont au milieu.



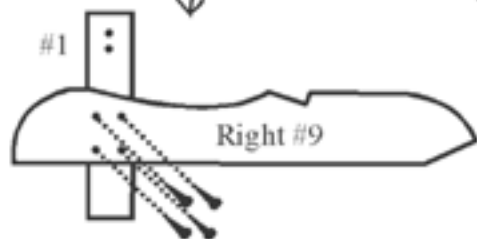
2. Push all the Slats together so that there is even spacing on each side. Screw the centre Slat down using two screws.

Mettre toutes les lames ensemble de façon que l'espacement soit égal. Visser la lame centrale en se servant des deux vis.



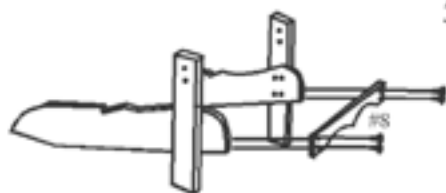
3. Space slats out evenly from the centre attached slat so that the shortest outside slat is even with the ends of the curved back supports, and then attach.

Espacer les lames à intervalles réguliers de sorte que la plus courte de l'extérieur est alignée aux bouts des supports circulaires. Attacher-les.



4. Attach Legs (#1) to Sides (#9) using 4 plated screws. (Line up pencil marks) Sides are marked left and right.

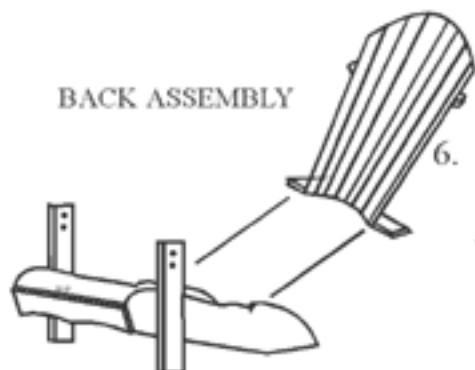
Joindre les pieds (#1) aux Côtés (#9) en utilisant quatre vis. Vérifier que les traits au crayon sont alignés.



5. Attach Front Slat (#8) to the front bottom edge of the sides using 2 screws.

Joindre la lame de devant (#8) aux bords inférieurs des côtés en utilisant deux vis.

BACK ASSEMBLY



SEAT ASSEMBLY

6. Attach back assembly to seat assembly with 2 screws.

Joindre le dossier à la coupure du siège avec deux vis.

- Attach the "Comfort Slat (#7) on the angled edge about 5mm 1/4" in front of the "Back Slats" with 2 screws. Attach the 6 seat slats (#6) to the Sides using plated screws. Evenly space slats along the sides (approx. 5mm 1/4" spacing).



Joindre la dernière lame (#7) "Back Slat" aux côtés en laissant à peu près de 5mm 1/4" entre le bord arrière de la lame du dossier, avec deux vis. Joindre les 6 lames (#6) aux côtés avec les vis. Laisse 5mm 1/4" entre chaque lame.

FINAL ASSEMBLY

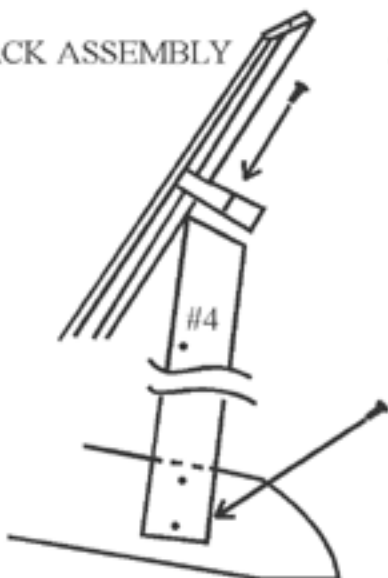
- Attach the top of the Struts (#4) to the underside of the Top Back Support (#10) with 2 screws.

Joindre la partie supérieure du supports (#4) au support supérieur du dossier (#10) avec deux vis.

- This is where you see if you assembled your Back assembly straight or cockeyed. Visually look down the length of the strut and see where it touches the Sides. If it is noticeably leaning one way or another, then firmly grasp the top of the back assembly and force it left or right until the struts can be screwed into the Sides without having to twist or bend them.

C'est maintenant que vous vérifiez si vous avez correctement assemblé l'ensemble dos. Regardez le dos et observez les planches support si elles penchent d'un côté tenir fermement le haut du dos et le forcer à droite ou à gauche jusqu'à une des planches support puissent être tordues ou courbées.

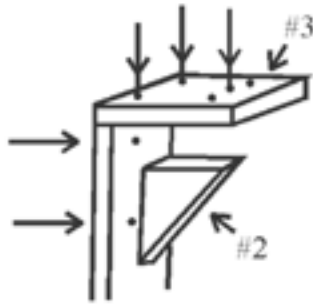
BACK ASSEMBLY



- Attach the bottom of the struts to the insides of the Sides with 1 plated screw. (do not apply any glue to this joint yet.)

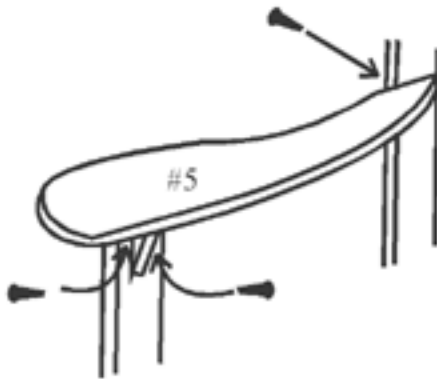
Visser les deux supports avec vis, à l'arrière des côtés.

11. Attach Arm Supports (#3) to the top of the Legs (#1) with 2 screws. push the triangles (#2) into the right angle corner and attach with 2 screws. Attach the Triangle to underside of the Arm Support with a screw.



Joindre les deux soutiens de bras (accoudoirs) (#3) à la partie supérieure des pieds (#1) avec 2 vis. Joindre les parties triangulaires (#2) aux pieds en se servant de deux vis, et au dessous des accoudoirs avec un vis. Vérifier que les trous du triangle et ceux du pied sont alignés.

12. Attach the Arm (#5) to the rear Strut with a plated screw and to the Arm Support with 2 plated screws through the underside.

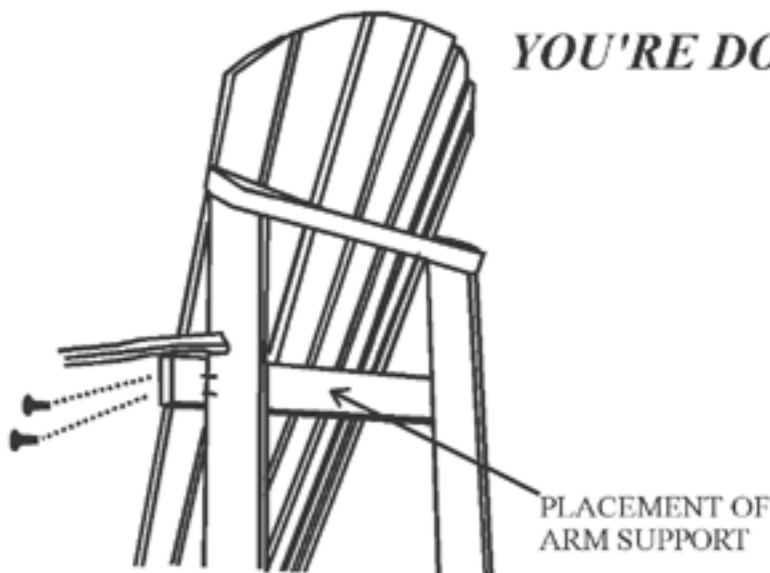


En utilisant deux vis, visser l'accoudoir (#5) au soutien. Vérifier que la coupure est tout à fait contre le support. Joindre l'arrière de l'accoudoir au support avec un vis cadmium. S'asseoir dans le fauteuil.

13. Place your chair on a flat surface and make sure it sits flat on all 4 legs. Install the remaining screws in the bottom of the struts. If it doesn't sit flat, remove the single screw holding the bottom of the strut and move the strut up or down slightly to compensate, glue and re-attach.

BC201 MODIFICATION

14. Attach additional arm support (#14) with four screws



YOU'RE DONE, TRY IT OUT!