

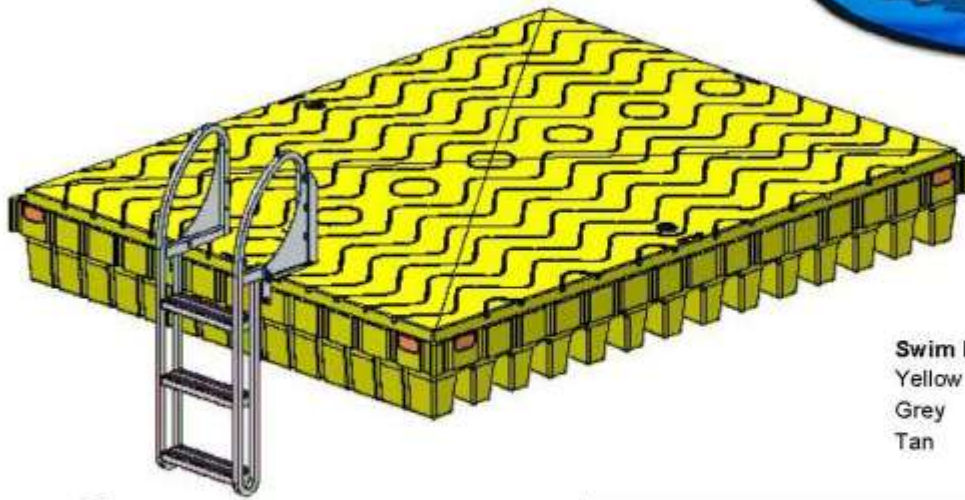
Poly Swim Raft

Yellow - 1007970, Grey - 1007980, Tan - 1007971

Bolt Bag Part# 1007510

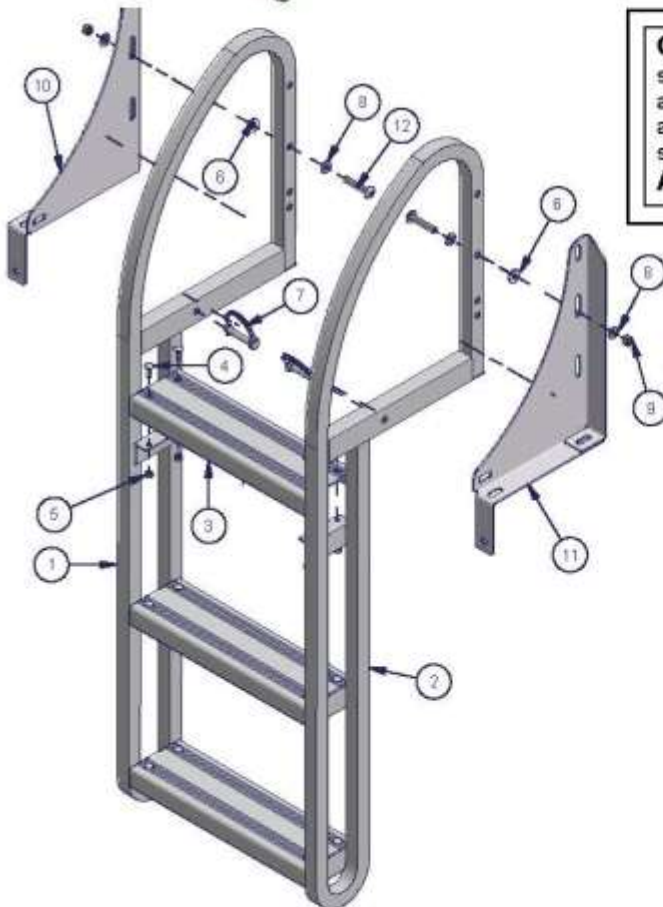
Poly Swim Raft

1007510 - Bolt Bag Ladder Swim Raft Poly



| Swim Raft | Part Number |
|-----------|-------------|
| Yellow | 1007970 |
| Grey | 1007980 |
| Tan | 1007971 |

Caution: Never jump or dive into the water before the entire subsurface area has been checked for depth. Consult local authorities for ordinances regarding proper placement and anchoring of swim raft. Manufacturer recommends removing swim raft from water when not in use.
ALWAYS PUT SAFETY FIRST!



Ladder Assembly:

1. Attach each Ladder Step to the Ladder Frame Left and the Ladder Frame Right. Secure to Ladder Frame with two Bolts Carriage 1/4 x 3/4 and two Nuts 1/4 - as shown.
2. Attach the Ladder Frame Right and Ladder Frame Left each to one Ladder Pivot. Secure with one Bolt Slotted Round 3/8 x 2.0 two Poly Spacers two Washers Flat 3/8 and one Nut Nyloc Jam 3/8 - as shown.

While the ladder is in use secure it down with two Snap Pins (as shown).

Note: Nylock nuts should not be reused. If a Nylock nut is removed it must be replaced with a new Nylock nut.

NOTE: If the ladder is to be pivoted to a vertical position, the 3/8" x 2" bolts should go through the middle hole on the ladder pivot bracket and the lower hole on the ladder assembly (as shown).
If the Ladder is to be pivoted to a horizontal position across the raft, the 3/8" x 2" bolt should go through the upper hole on both the ladder pivots and the ladder assembly.
To pivot ladder, snap pins need to be removed.

| Parts List | | | | |
|------------|-----|-------------|-------------------------------------|--|
| ITEM | QTY | PART NUMBER | DESCRIPTION | |
| 1 | 1 | 1005615 | 3 STEP LADDER FRAME LEFT | |
| 2 | 1 | 1005616 | 3 STEP LADDER FRAME RIGHT | |
| 3 | 3 | 1005785 | Prt Ladder Step 15 0 | |
| 4 | 12 | 1001850 | Bolt Carriage 1/4-20 x .75 SS 304 | |
| 5 | 12 | 1001797 | 1/4" NUT BRASS | |
| 8 | 2 | 1002489 | POLY WASHER 3/8 ID X 1" OD X .093 | |
| 7 | 2 | 1000338 | Pin Snap 3/8 x 1.75 | |
| 6 | 4 | 1002599 | Washer Flat 3/8 SS | |
| 9 | 2 | 1001805 | Nut Nyloc 3/8-18 Brass | |
| 10 | 1 | 1001778 | Ladder Pivot Left | |
| 11 | 1 | 1001779 | Ladder Pivot Right | |
| 12 | 2 | 1002426 | BOLT 3/8" x 2.0 PHILLIPS MACH SCREW | |

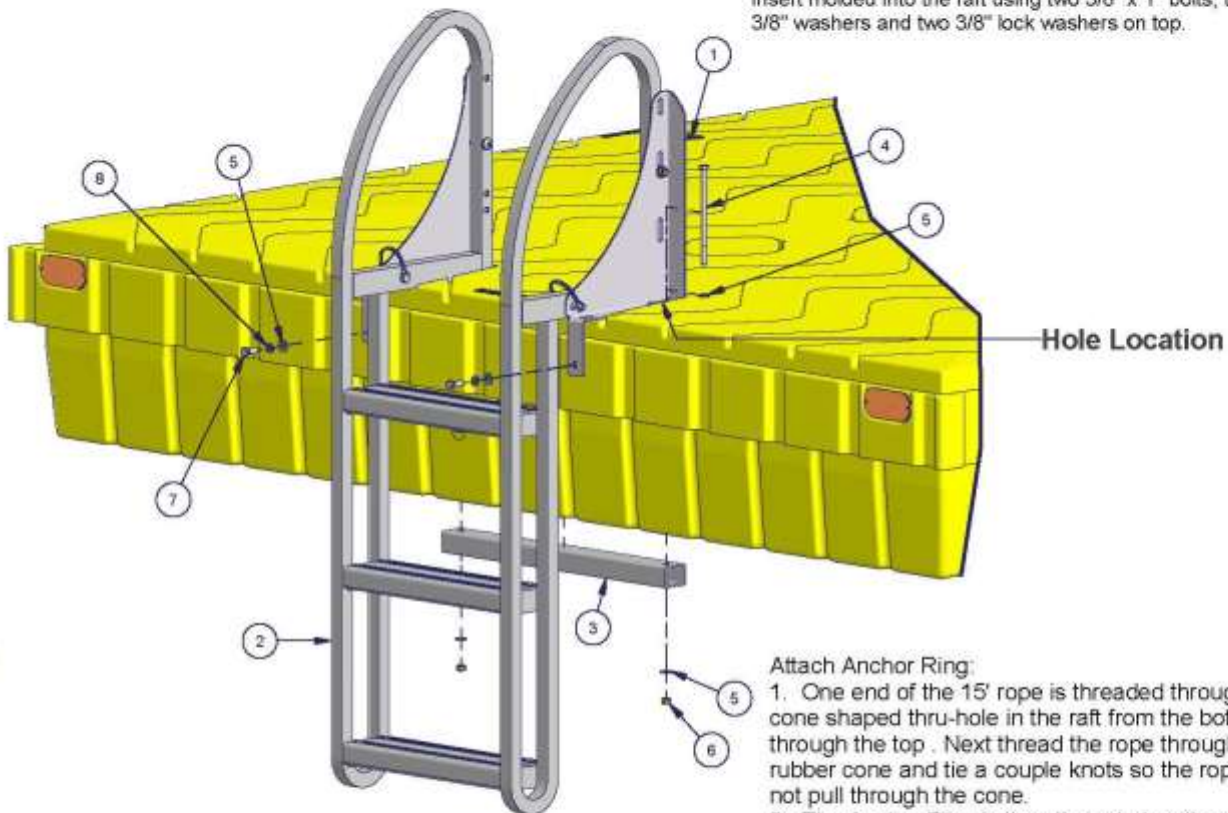
5/4/2011 Poly Swim Raft Instructions.idw

| Parts List | | | |
|------------|-----|-------------|------------------------------|
| ITEM | QTY | PART NUMBER | DESCRIPTION |
| 1 | 2 | 1001084 | Swim Raft Rubber Anchor Hold |
| 2 | 1 | 1007634 | 3 Step Pivoting Ladder |
| 3 | 1 | 1004979 | Ladder Brace |
| 4 | 2 | 1002447 | 3/8 X 6-1/2 Hex Bolt |
| 5 | 6 | 1002589 | 3/8" Washer |
| 6 | 2 | 1001805 | 3/8 Nyloc Nut |
| 7 | 2 | 1002419 | 3/8 X 1 Hex Bolt |
| 8 | 2 | 1002586 | 3/8 Lock Washer |

POLY SWIM RAFT

Attach Ladder:

1. The rear of each Ladder Pivot is bolted through the hole marked on the drawing as Hole Location. Two 3/8" x 6.5" bolts and two 3/8" washers are placed through the rear of each ladder pivot. The bottoms of the two bolts are secured through a Ladder Brace using two 3/8" washers and two 3/8" Nyloc nuts.
2. The front of each Ladder pivot is bolted into a threaded insert molded into the raft using two 3/8" x 1" bolts, two 3/8" washers and two 3/8" lock washers on top.



Attach Anchor Ring:

1. One end of the 15' rope is threaded through the cone shaped thru-hole in the raft from the bottom up through the top. Next thread the rope through the rubber cone and tie a couple knots so the rope will not pull through the cone.
2. The Anchor Ring is then threaded on the 15' rope.
3. The loose end of the rope is then attached in the same manner as the other end just to the other end of the raft.
4. The anchor rope is attached to the Anchor Ring. The purchaser provides the anchor rope and the anchor. Anchor rope should be rope and not chain.

CAUTION: The anchor tie downs should not be used to pull the raft through the water behind a boat or onto shore. If the raft is exposed to heavy or continuous wave action, a rope snubber should be added to the anchoring line to help absorb the shocks.

