



# ST. TROPEZ

BY C.R. PLASTIC PRODUCTS INC



## C30 St. Tropez Lounge Chair

**C.R. Plastic Products Inc.**  
**1 – 533 Romeo Street South**  
**Stratford Ontario N5A 4V3**  
**Toll Free: 800-490-1283**  
**Fax: 519-271-8544**  
**[www.crpproducts.com](http://www.crpproducts.com)**

A. Seat

Qty: 1



B. Left Arm

Qty: 1



C. Right Arm

Qty: 1



D. Back

Qty: 1



**PARTS LIST:**

**A - Seat**

**B - Left Arm**

**C - Right Arm**

**D - Back**

**HARDWARE LIST:**

20 – 1½” Screws

4 – 2” Screws

**Note:**

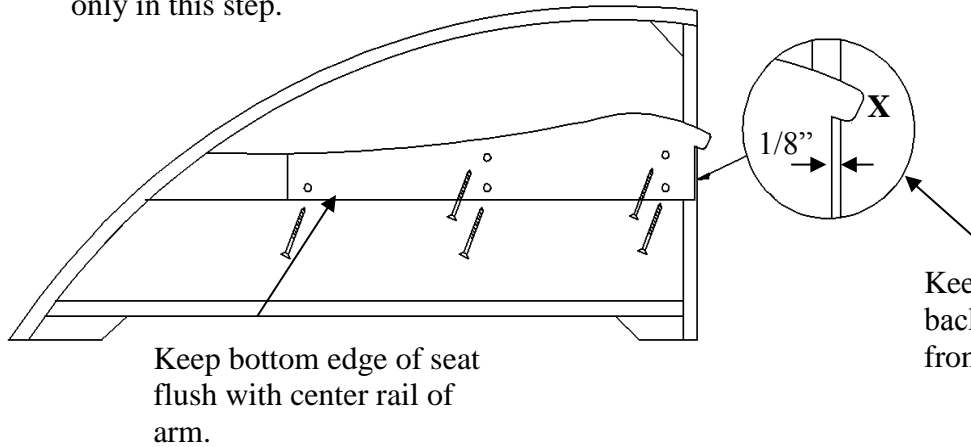
- Read these instructions carefully before assembling.
- Tools required: # 2 Phillips or #2 Robertson bit and power drill.
- Find a clean, smooth area on which to work, such as a carpet, in order to avoid scratching the plastic surfaces.
- Two people might be required for assembly.

**Step 1:** Set the Left Arm (B) flat on the floor Fig. 1. Line up seat (A) keeping bottom edge of seat flush with bottom edge of center rail of arm. Keep front edge of seat back 1/8" from front of leg, (detail X) and attach with 6 - 1 1/2" screws.

**Figure 1**

Required	Qty
Seat (A)	1
Left Arm (B)	1
1 1/2" Screws	6

Use 1 1/2" Screws only in this step.



Keep bottom edge of seat flush with center rail of arm.

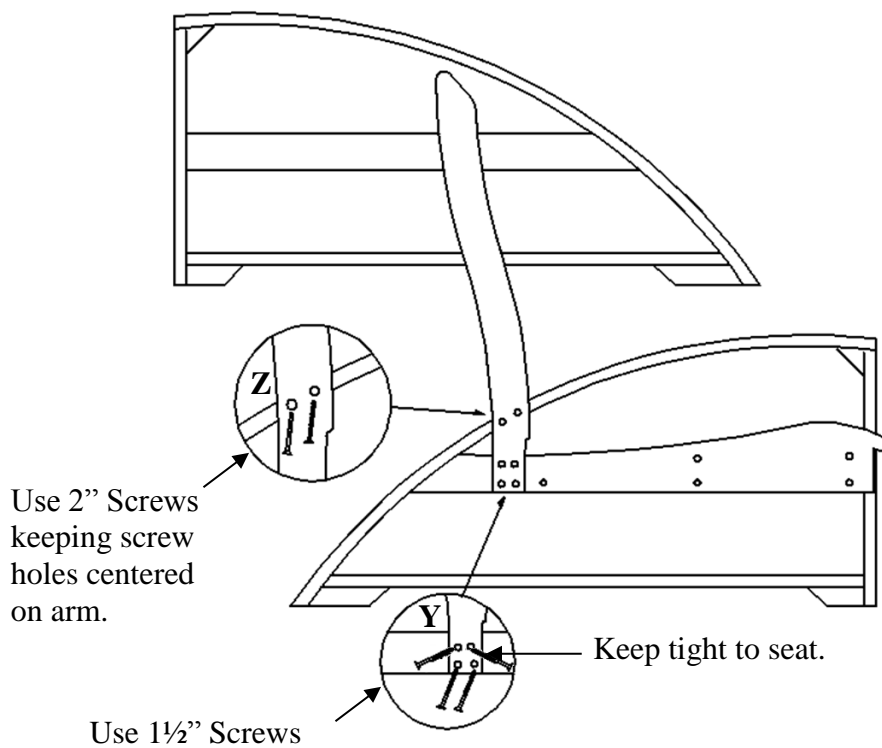
Keep front edge of seat back 1/8" from the front of leg.

**Step 2:** Using right arm (C) to balance back Fig. 2. Line up back, (detail Y and Z). Insert 2 - 2" screws to attach the back to the curved arm rest keeping screw holes centered on arm.

**Step 3:** Insert 4 - 1 1/2" screws (detail Y).

**Figure 2**

Required	Qty
Back (D)	1
Right Arm (C)	1
1 1/2" Screws	4
2" Screws	2



Use 2" Screws keeping screw holes centered on arm.

Keep tight to seat.

Use 1 1/2" Screws

**Step 4:** Flip assembled part of chair over on to Arm (C), keeping bottom edge of seat flush with bottom edge of center rail of arm. Keep front edge of seat back 1/8" from front of leg, (detail U) and attach with 5 - 1 1/2" screws.

**Step 5:** Line up back, (detail V and W). Insert 2 - 2" screws to attach the back to the curved arm rest, (detail W) keeping screw holes centered on arm.

**Step 6:** Insert 4 - 1 1/2" screws. (detail V)

**Figure 3**

Required	Qty
Right Arm (C)	1
1 1/2" Screws	10
2" Screws	2

